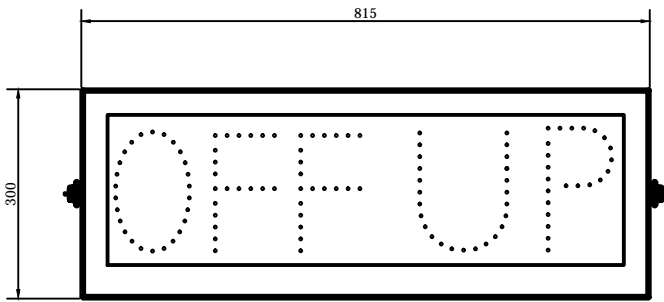
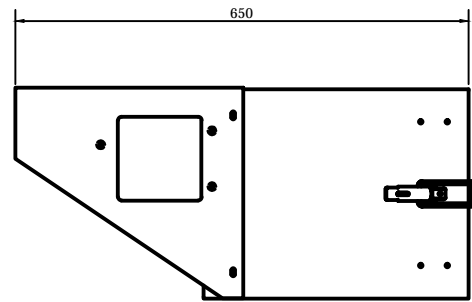


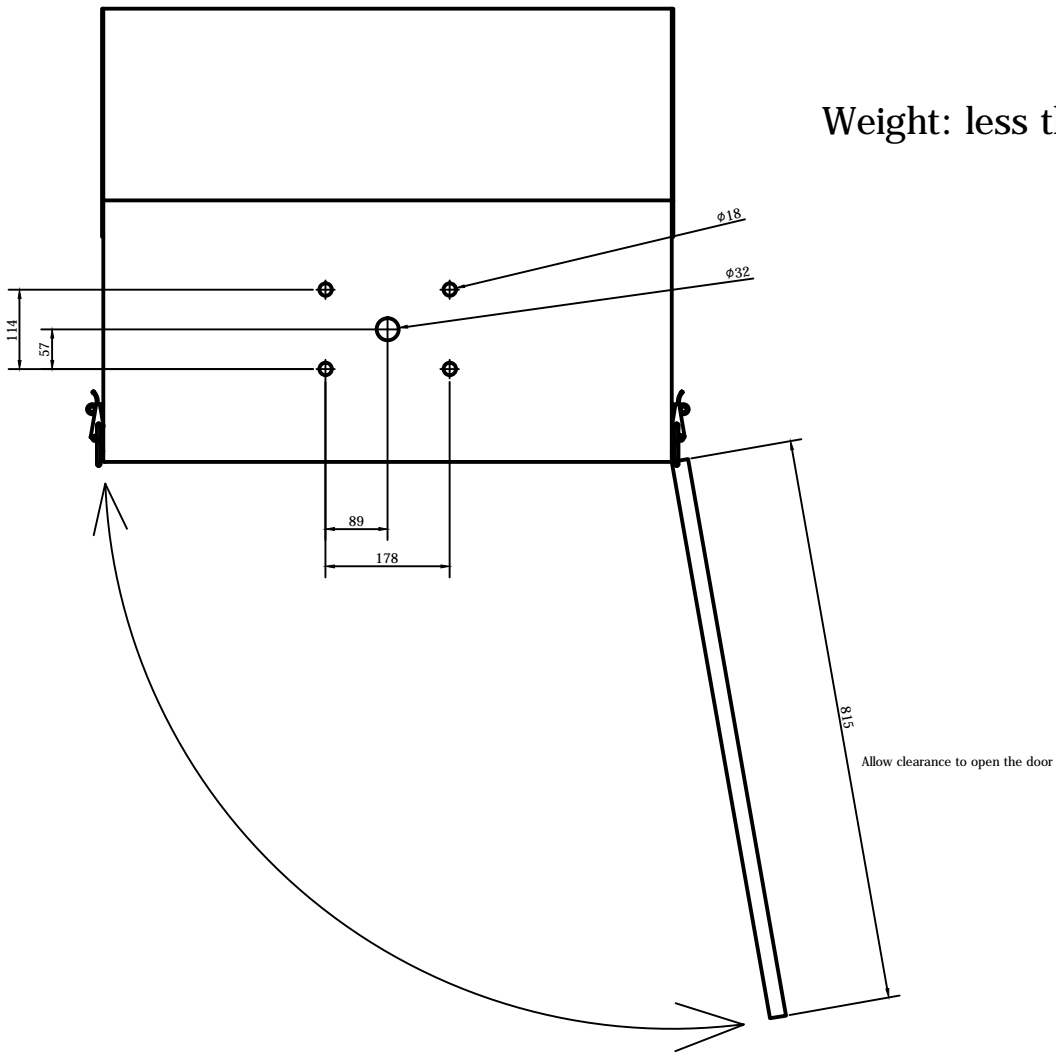
DO NOT SCALE



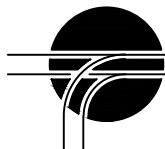
Characters to BR1651/2  
appendix 3  
Cat 5



Weight: less than 40kg



Issue	Drawing Revision Form no.	Name	Date
-------	---------------------------	------	------



Tel : (01525) 377477  
Fax : (01525) 850999  
Email: sales@signalhouse.co.uk  
**Signal House Ltd**  
Signal House  
Cherrycourt Way  
Stambridge Road  
Leighton Buzzard  
Bedfordshire LU7 4UH

**SALES DATA**

CONFIDENTIAL -  
THIS PRINT IS RELEASED TO YOU ON THE STRICT  
CONDITION THAT NONE OF THE DATA HEREON SHALL  
BE DIVULGED, REPRODUCED OR MADE AVAILABLE TO  
ANY THIRD PARTY, UNLESS WITH OUR WRITTEN  
CONSENT.

Drawn	PB	Date	18/3/14
Checked		Date	

3rd Angle Projection



Title  
**LED MARI (Stencil)  
Indicator**

Dimensions are in mm, unless specified otherwise.

Drwg no. **SD X12200**

Issue **A**